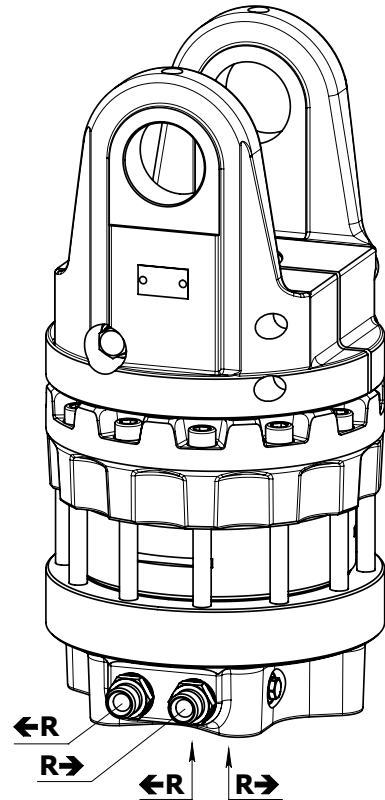
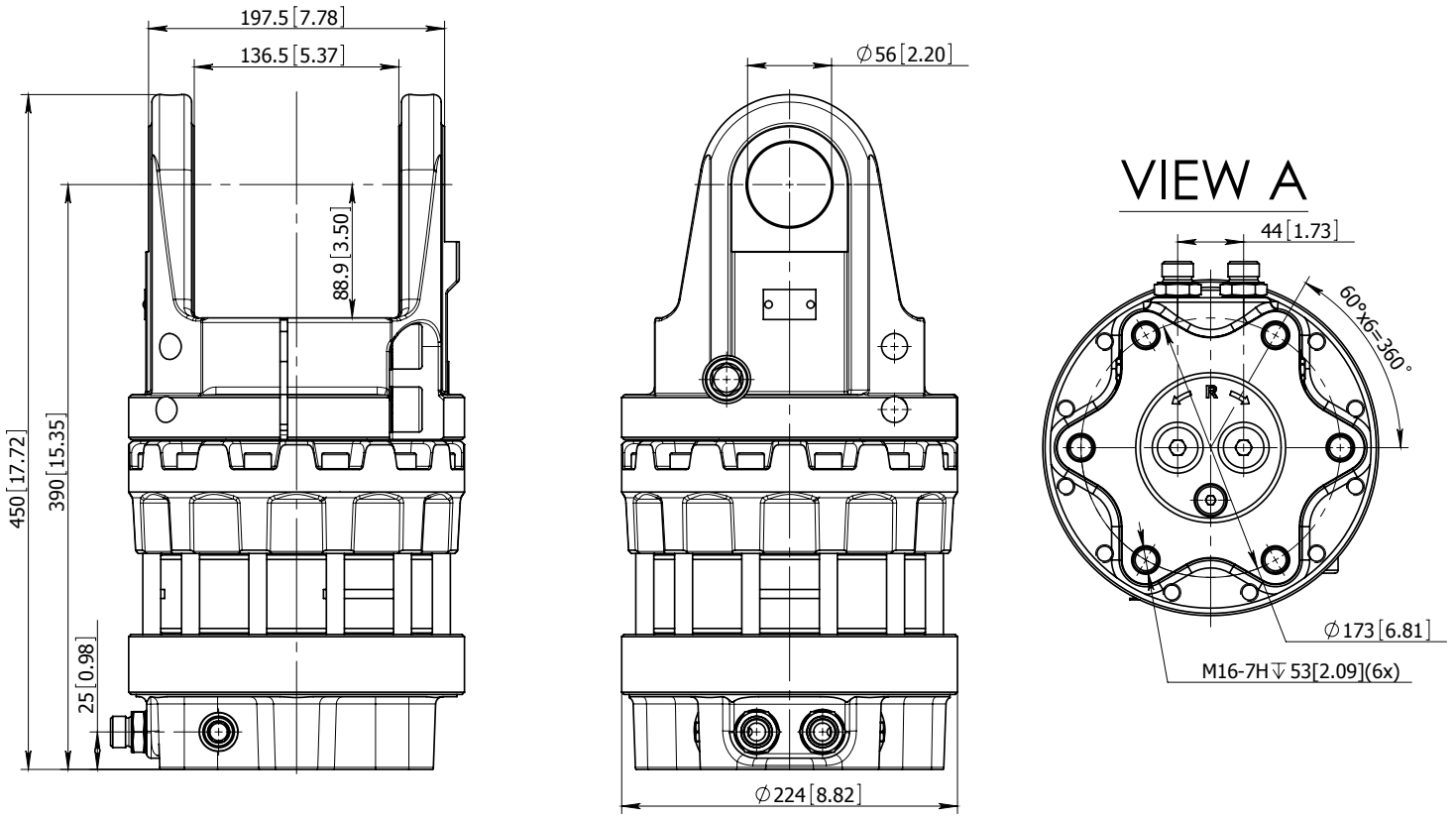


# ROTATOR HR16-01



## Technical data

Rotation	Unlimited
Max axial load static, kN (lbf)	+160 (35976) -100 (22485)
Max axial load dynamic, kN (lbf)	+80 (17988) -50 (11242)
Torque at 25MPa (3625psi), Nm (lb ft)	3300 (2434)
Rec oilflow, l/min (US gallon)	40 (10.6)
Weight, kg (lb)	76 (169)

### Max working pressure:

Rotator **←R→** Max 25 MPa (3625 psi)\*

### Connection:

G 1/2

\* Relief valves fitted