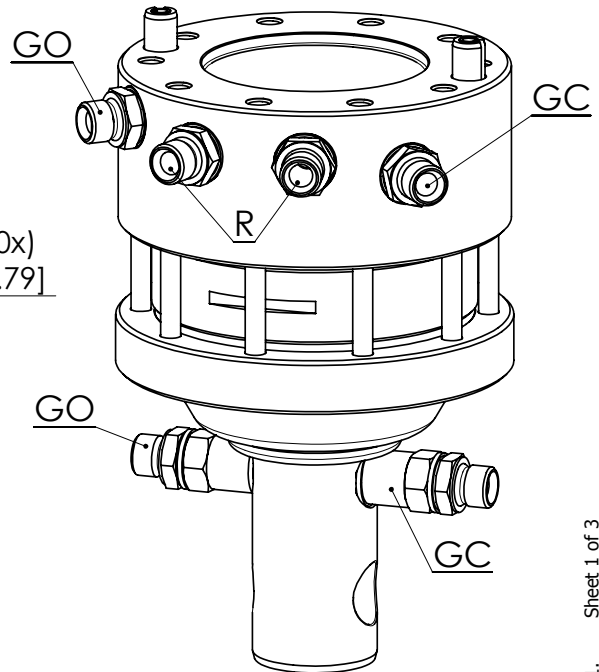
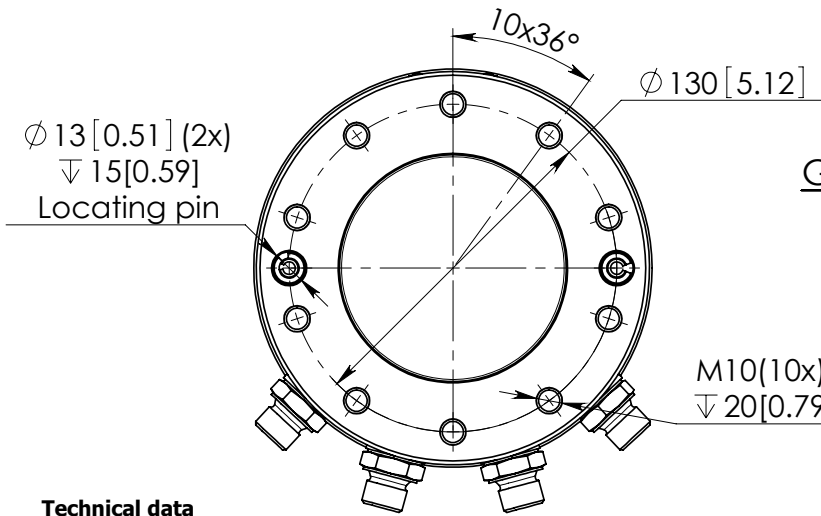
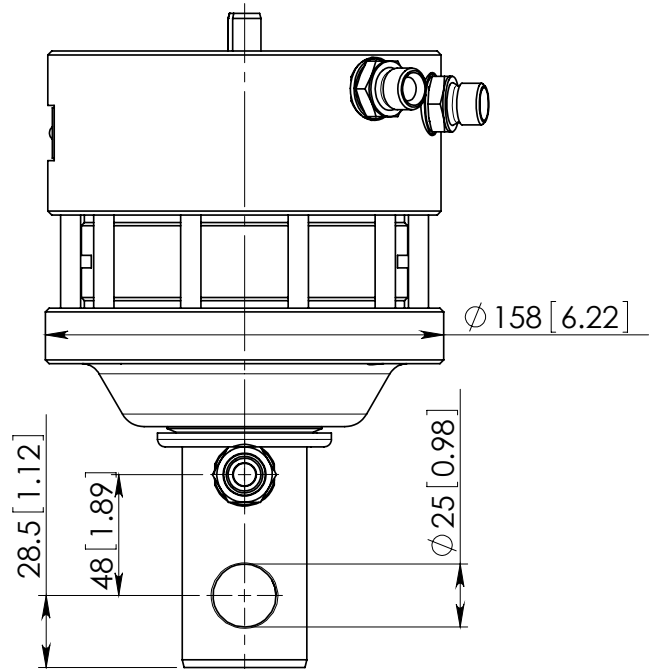
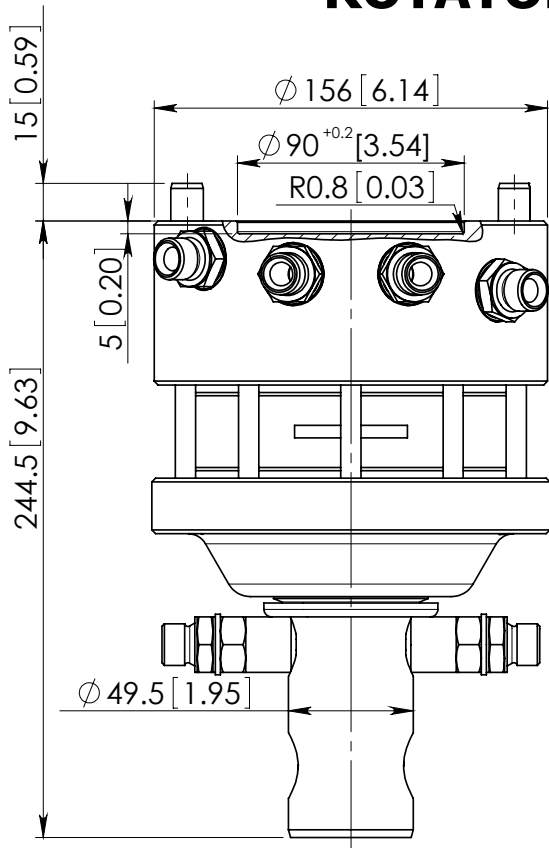


ROTATOR GR30FA-01



Technical data

Rotation	Unlimited
Max axial load static, KN (lbf)	30 (6745)
Max axial load dynamic, KN (lbf)	15 (3372)
Torque at 25Mpa (3625psi), Nm (lb ft)	900 (664)
Rec oilflow, l/min (US gallon)	20 (5.3)
Weight, kg (lb)	18 (39.7)

Max working pressure:

	←R→	←G→	→G←
Rotator	Max 25 MPa (3625 psi)	Max 20 MPa (2900 psi)	Max 30 MPa (4350 psi)
Grapple / Tool open		G 3/8"	G 3/8"
Grapple / Tool close			G 3/8"

Connection: