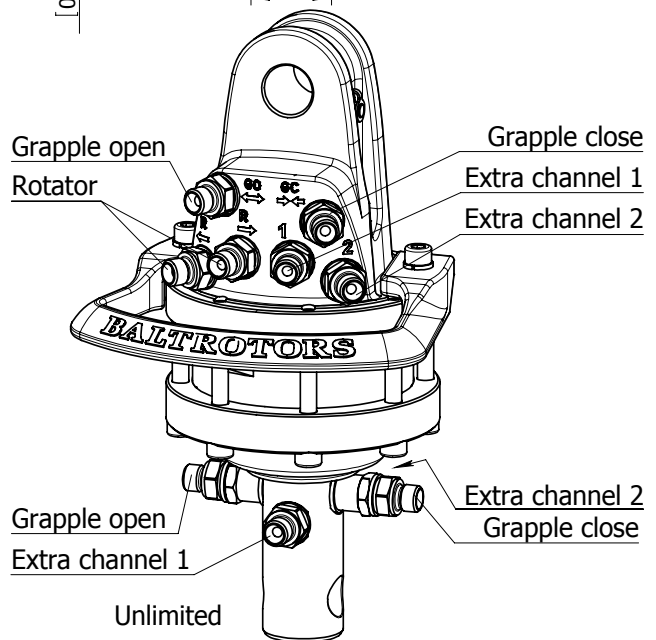
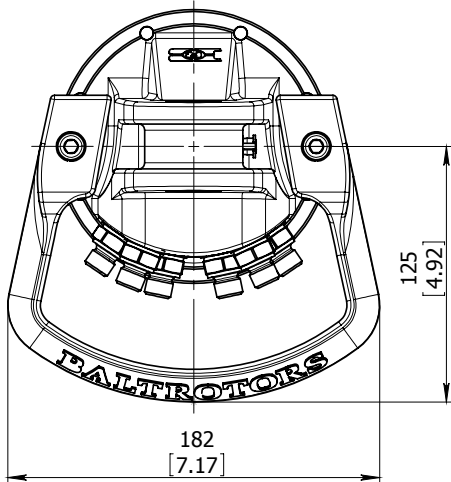
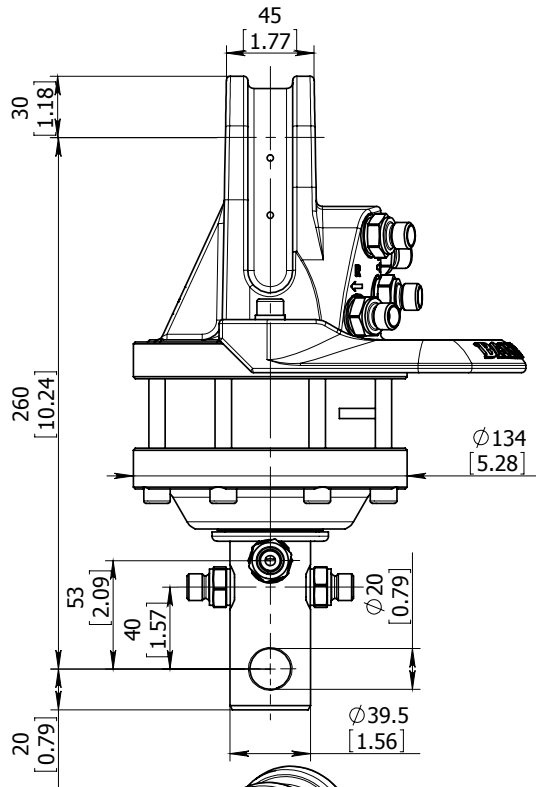
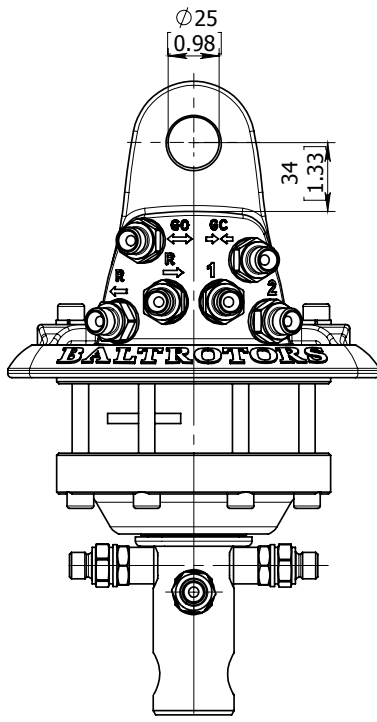


ROTATOR GR10-02



Technical data

| | |
|---------------------------------------|-----------|
| Rotation | Unlimited |
| Max axial load static, KN (lbf) | 10 (2250) |
| Max axial load dynamic, KN (lbf) | 5 (1125) |
| Torque at 25Mpa (3625psi), Nm (lb ft) | 350 (258) |
| Rec oilflow, l/min (US gallon) | 10 (2.6) |
| Weight, kg (lb) | 12 (26) |

Max working pressure:

| | | | |
|----------------------|------------|-----------------------|--------|
| Rotator | ←R→ | Max 25 MPa (3625 psi) | G 1/4" |
| Grapple / Tool open | ←G→ | Max 20 MPa (2900 psi) | G 1/4" |
| Grapple / Tool close | →G← | Max 30 MPa (4350 psi) | G 1/4" |
| Extra oil function | 1 2 | Max 30 MPa (4350 psi) | G 1/4" |

Connection:

| |
|--------|
| G 1/4" |
| G 1/4" |
| G 1/4" |
| G 1/4" |